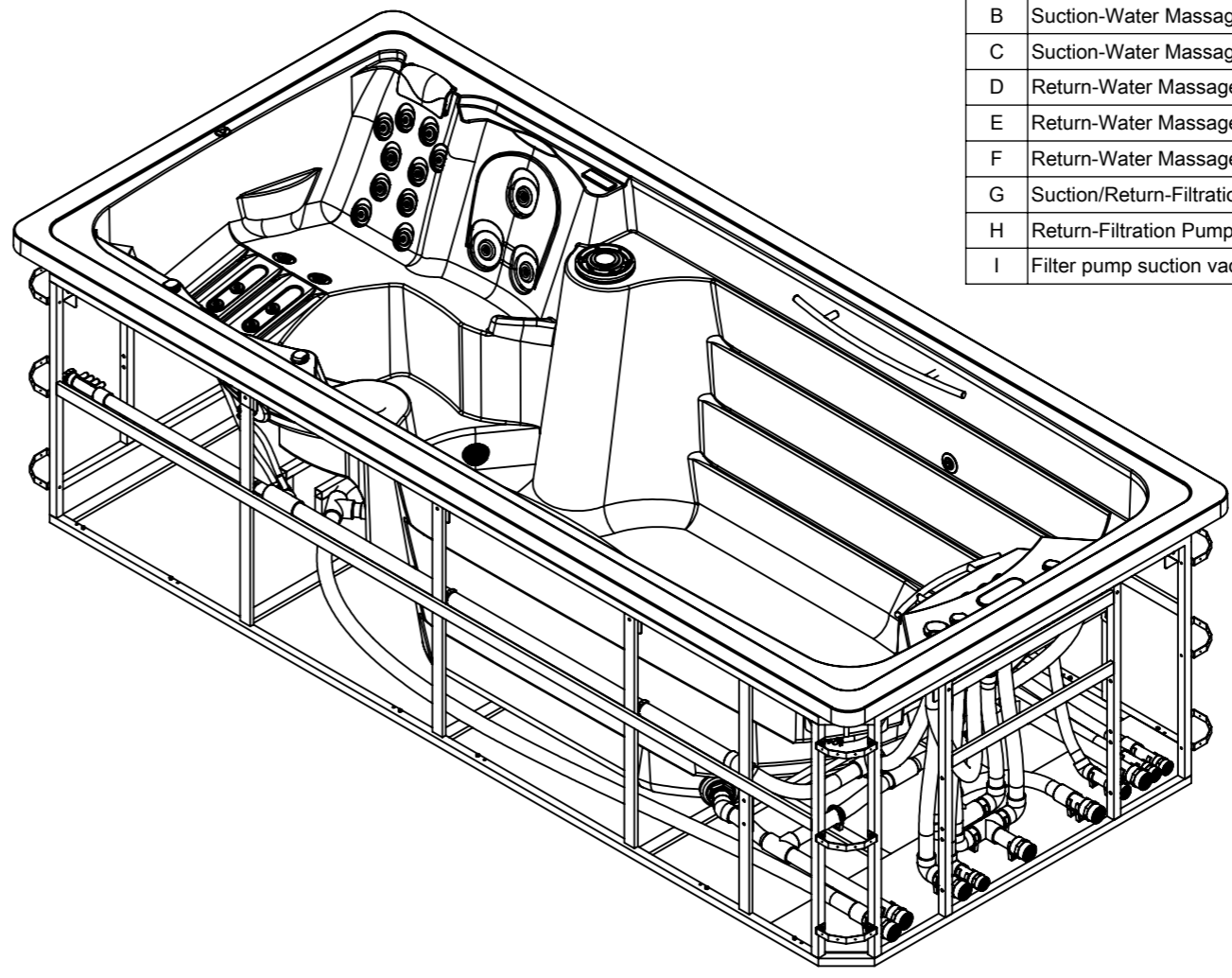
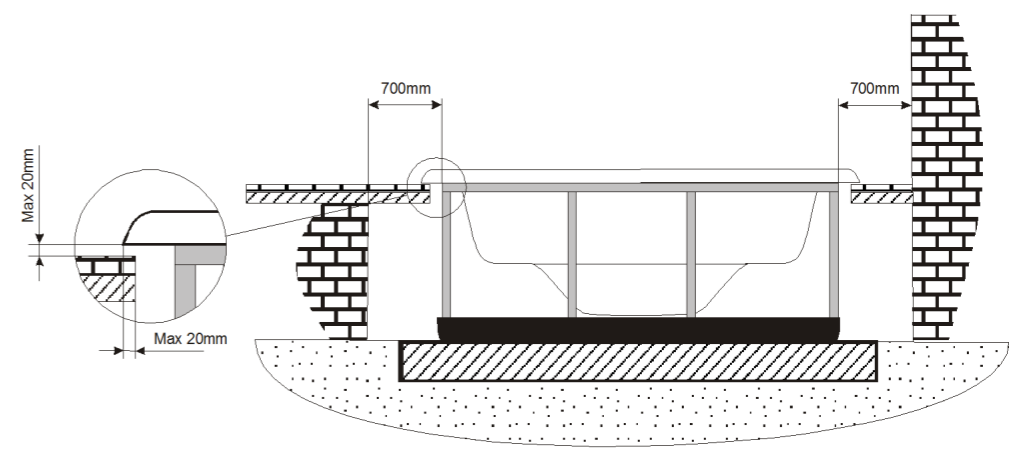


ELECTRICAL BOARD CONNECTIONS ACCESS

A	Suction-Water Massage Pump 1	Ø 63 FEMALE SOCKET
B	Suction-Water Massage Pump 2	Ø 63 FEMALE SOCKET
C	Suction-Water Massage Pump 3	Ø 63 FEMALE SOCKET
D	Return-Water Massage Pump 1	Ø 63 FEMALE SOCKET
E	Return-Water Massage Pump 2	Ø 63 FEMALE SOCKET
F	Return-Water Massage Pump 3	Ø 63 FEMALE SOCKET
G	Suction/Return-Filtration Pump Bottom Spa	Ø 50 FEMALE SOCKET
H	Return-Filtration Pump Inlets	Ø 50 FEMALE SOCKET
I	Filter pump suction vacuum cleaner	Ø 50 FEMALE SOCKET

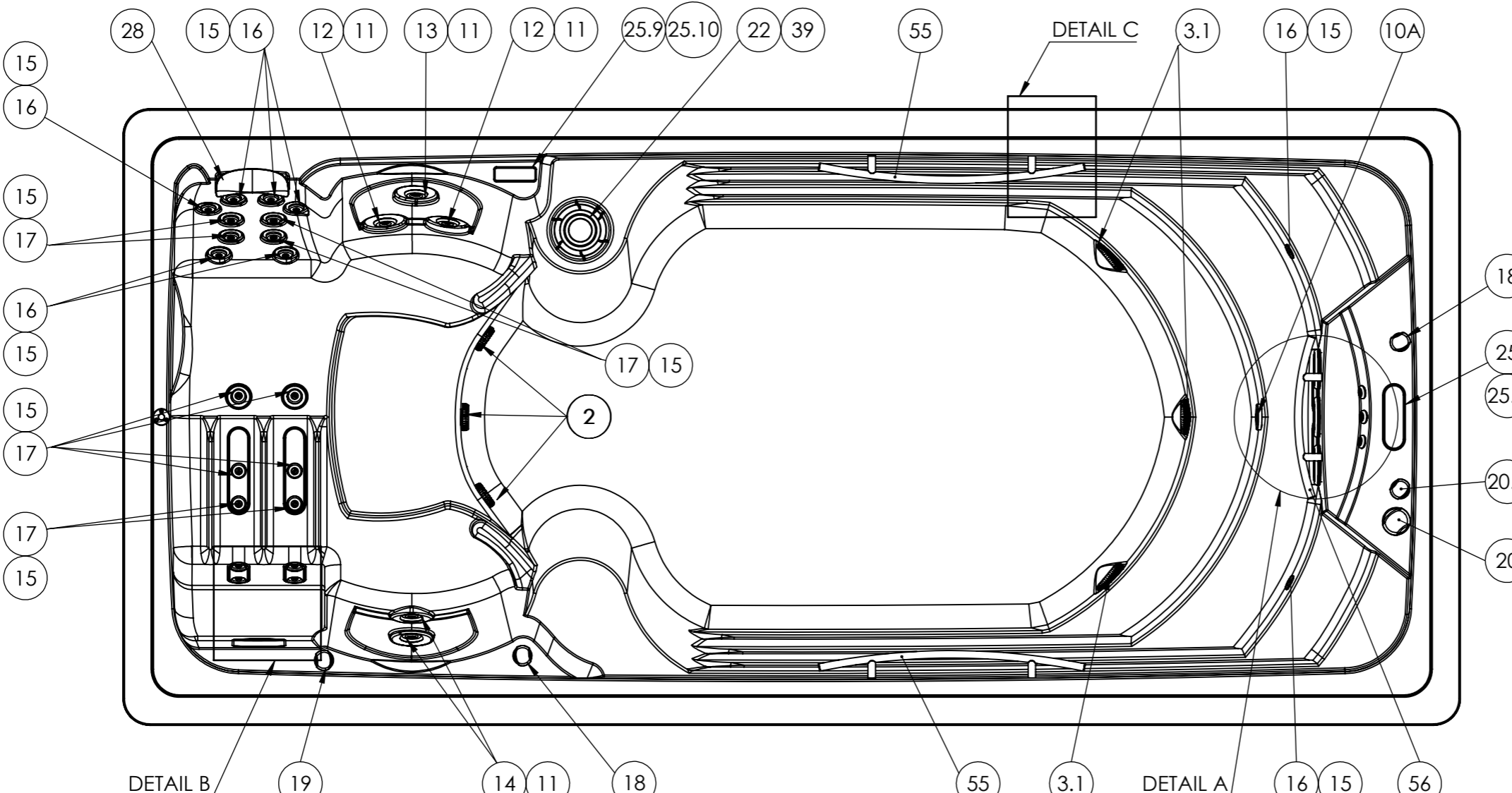


**WARNING:**  
It's essential to keep a minimum clearance access of **700mm** all around.

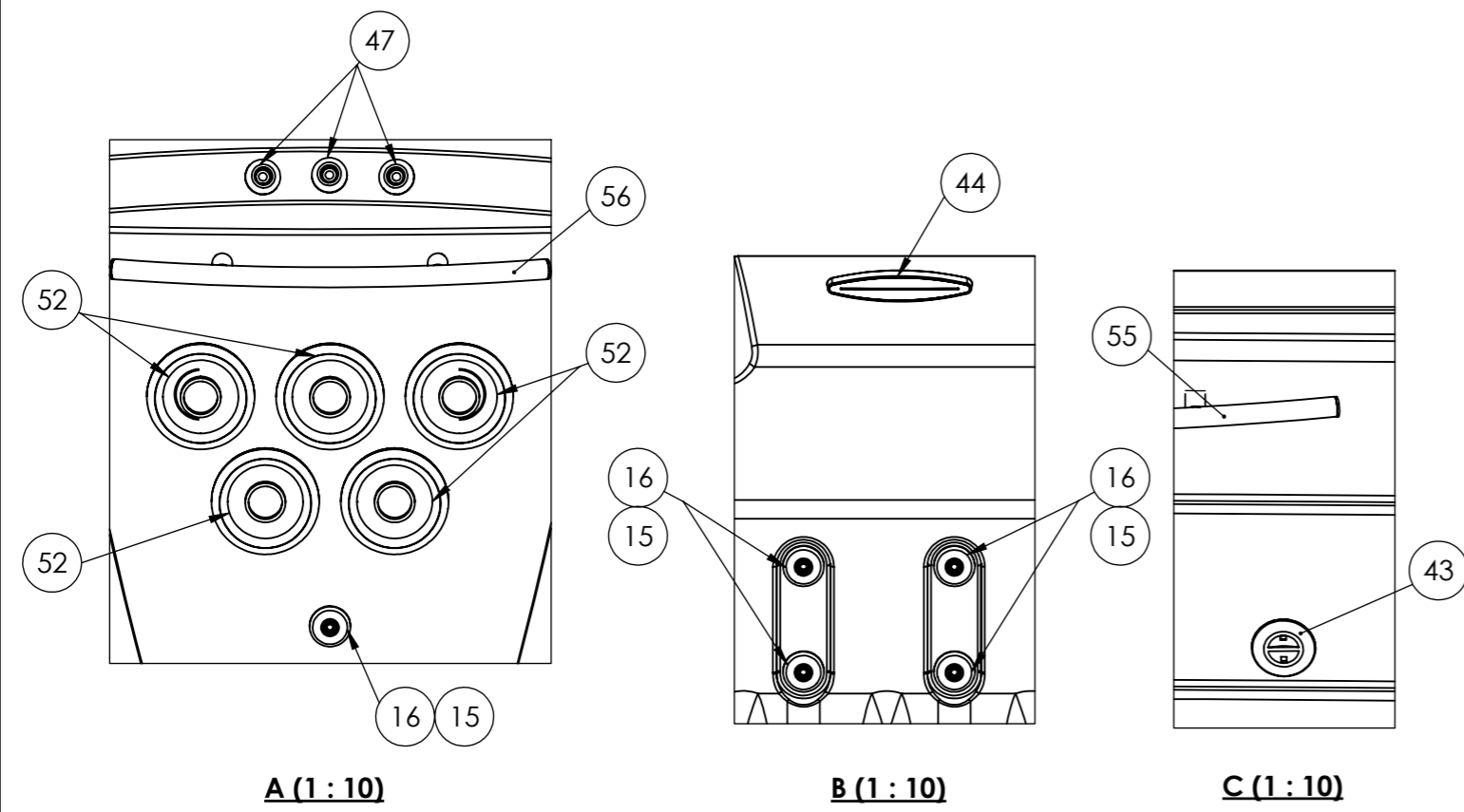


According to our policy of continuous improvement, dimensions, features or components of this product can be partially or completely changed without prior notice.  
It's Customer responsibility to verify that this is the last version of the drawing

01	09/05/2017	O. Faura	Changing of electronic parts references.
00	12/06/2015	I.Pozo	Creation
Change No.	Date	Name	Modification
Remarks			COMMERCIAL
Dimensions in mm. General Tolerances +/- 10mm			
Drawn	12/06/2015	I.Pozo	Part Number <b>65353</b>
Checked	12/06/2015	V.Saiz	
Scale 1:25	General Tolerance DIN 7168 ISO 2768g		Rev. <b>01</b>
Sheet 1/2			
			First Angle Projection
Property of IBERSPA S.L. Avda. Pla d'Urgell 2-8 25200 Cervera, Spain. Don't use without permission. Keep this information confidential and use it solely for the permitted purpose.			



ACCESSORIES			
Position Num.	Part N° SPARE	Description SPARE	Quant.
2	RPOR0225	GREY SPA DRAIN 2" ADAPTOR SOCKET D.50	3
3.1	RPOR0166	SUPER HI-FLO SUCTION 2" GREY	3
10A	RCOM0063	HIGH INTENSITY COLOURS LED SPOTLIGHTS + STEEL ESCUTCHEON SPOTLIGHT	1
11	RPOR0236	JET BODY SET RD 3"	5
12	RPOR0231	FRONTAL JET 3" STAINLESS STEEL DIRECTIONAL	2
13	RPOR0233	FRONTAL JET 3" STAINLESS STEEL TWIN ROTO	1
14	RPOR0232	FRONTAL JET 3" STAINLESS STEEL 1 JET ROTO	2
15	RPOR0235	JET BODY SET RD 2"	23
16	RPOR0230	FRONTAL JET 2" STAINLESS STEEL DIRECTIONAL	13
17	RPOR0260	JET TWIN ROTO 2" INOX	10
18	RPOR0261	VENTURY CONTROLLER SS	2
19	RPOR0263	VALVE ON-OFF 1" SS	1
20	RPOR0262	3 WAYS SS VALVE 2"	1
20.1	RPOR0286	3 WAYS VALVE 1" SS	1
22	RPOR0174	SKIMMER SWIMSPA	1
25	RPOR0356	CONTROL PANEL TP800	1
25.8	RPOR0356-F	COVER DIGITAL AQUAVIA PANEL TP800 (3 PUMPS)	1
25.9	RPOR0357	AUXILIAR PANEL AX40	1
25.10	RPOR0357-C	COVER AQUAVIA AUXILIAR PANEL AX40 (3 PUMPS)	1
28	RPOR0032	SMALL HEADREST GREY	1
39	RPOR0175	SWIMSPA CARTDRIGE FILTER	1
43	REMP0052	VACUUM POINT	1
44	RPOR0278	SS 7" WATERFALL	1
47	RPOR0165	FOUNTAIN	3
52	RPOR0282	SWIM JET STAINLESS STEEL	5
55	RPOR0198	SPECIAL HANDGRIP SPA 1000	2
56	RPOR0250	SPECIAL HANDGRIP SPA 600	1
111	RPOR042	FASTENING SWIMM SET	1



According to our policy of continuous improvement, dimensions, features or components of this product can be partially or completely changed without prior notice. It's Customer responsibility to verify that this is the last version of the drawing

01	09/05/2017	O. Faura	Changing of electronic parts references.
00	12/06/2015	I.Pozo	Creation
Change No.	Date	Name	Modification
Remarks			
Dimensions in mm. General Tolerances +/- 10mm			<b>SPARE PARTS DRAWING</b>
Drawn	12/06/2015	I.Pozo	Part Number <b>65353</b>
Checked	12/06/2015	V.Saiz	
Scale 1:15	General Tolerance DIN 7168 ISO 2768g		Rev. <b>01</b>
Sheet 2/2			First Angle Projection 
Property of IBERSPA S.L. Avda. Pla d'Urgell 2-8 25200 Cervera, Spain. Don't use without permission. Keep this information confidential and use it solely for the permitted purpose.			