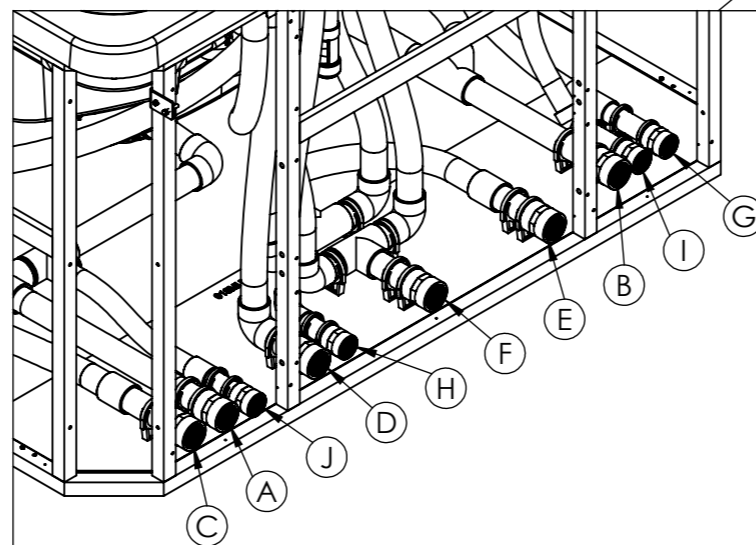
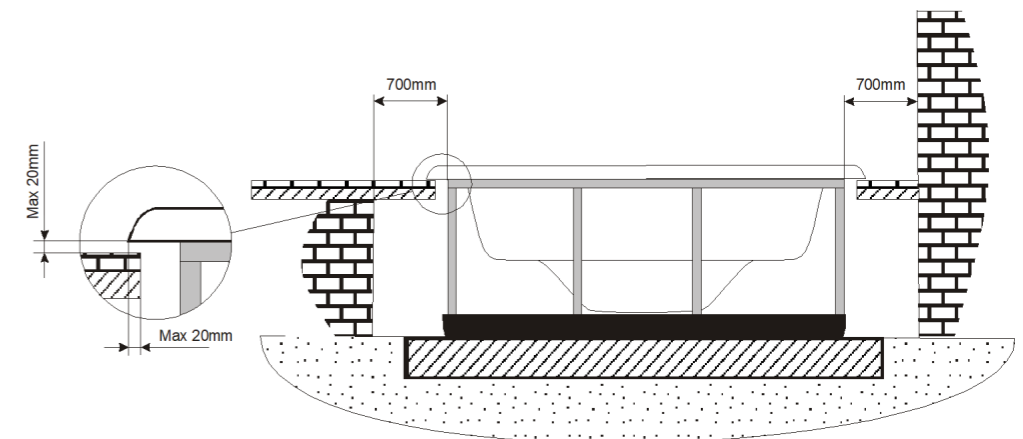


A	Suction Water Massage Pump 1	Ø 63 FEMALE SOCKET
B	Suction Water Massage Pump 2	Ø 63 FEMALE SOCKET
C	Suction Water Massage Pump 3	Ø 63 FEMALE SOCKET
D	Return Water Massage Pump 1	Ø 63 FEMALE SOCKET
E	Return Water Massage Pump 2	Ø 63 FEMALE SOCKET
F	Return Water Massage Pump 3	Ø 63 FEMALE SOCKET
G	Suction Filtration Pump	Ø 50 FEMALE SOCKET
H	Return Filtration Pump Inlets	Ø 50 FEMALE SOCKET
I	Filter pump suction vacuum cleaner	Ø 50 FEMALE SOCKET
J	Spa Drain	Ø 50 FEMALE SOCKET



WARNING:
It's essential to keep a minimum clearance access of **700mm** all around.



According to our policy of continuous improvement, dimensions, features or components of this product can be partially or completely changed without prior notice.
It's Customer responsibility to verify that this is the last version of the drawing

Change No.	Date	Name	Modification			
Remarks				COMMERCIAL		
Dimensions in mm. General Tolerances +/- 10mm				Part Number		
Drawn	07/06/2021	C.F.			Rev.	00
Checked	07/06/2021	X.Codina			69129-AV	First Angle Projection
Scale 1:25	General Tolerance					
Sheet 1/1	DIN 7168 ISO 2768g					

General specifications	
Spa weight (empty)	1.177 Kg
Spa weight (full)	9.677 Kg